

4

3

DWG NO. 410-0027-01

SH 1

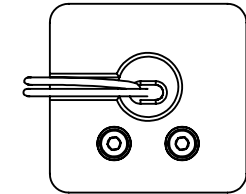
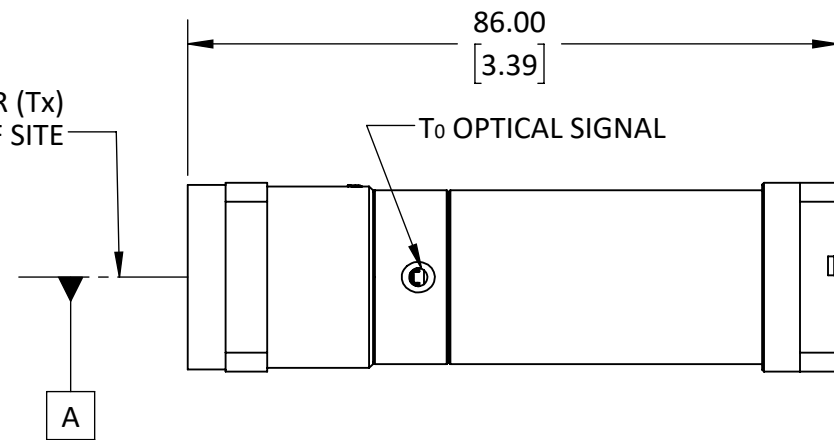
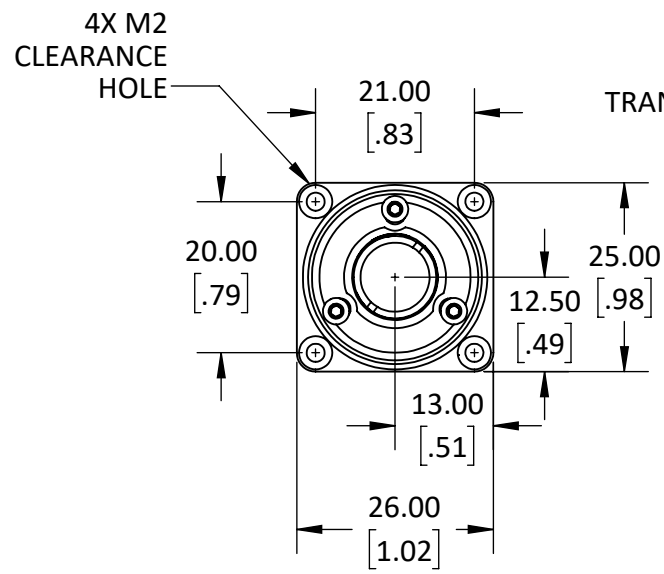
REV 01

1

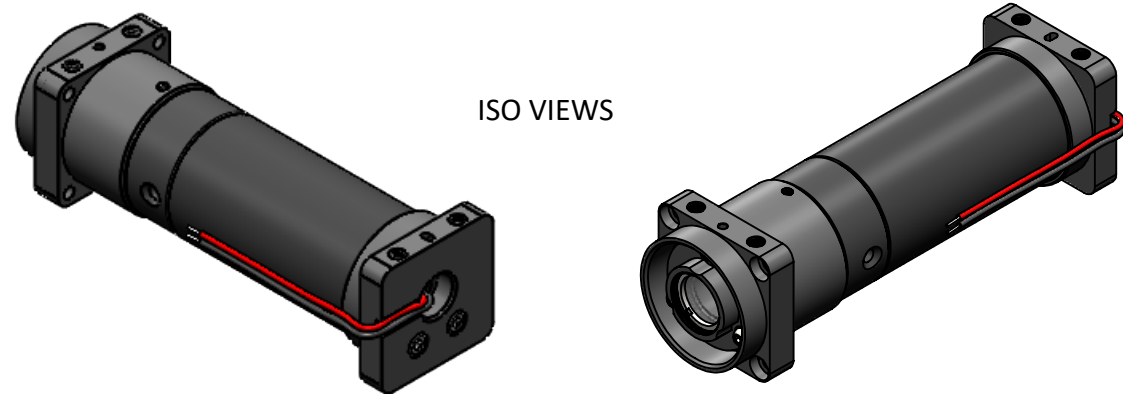
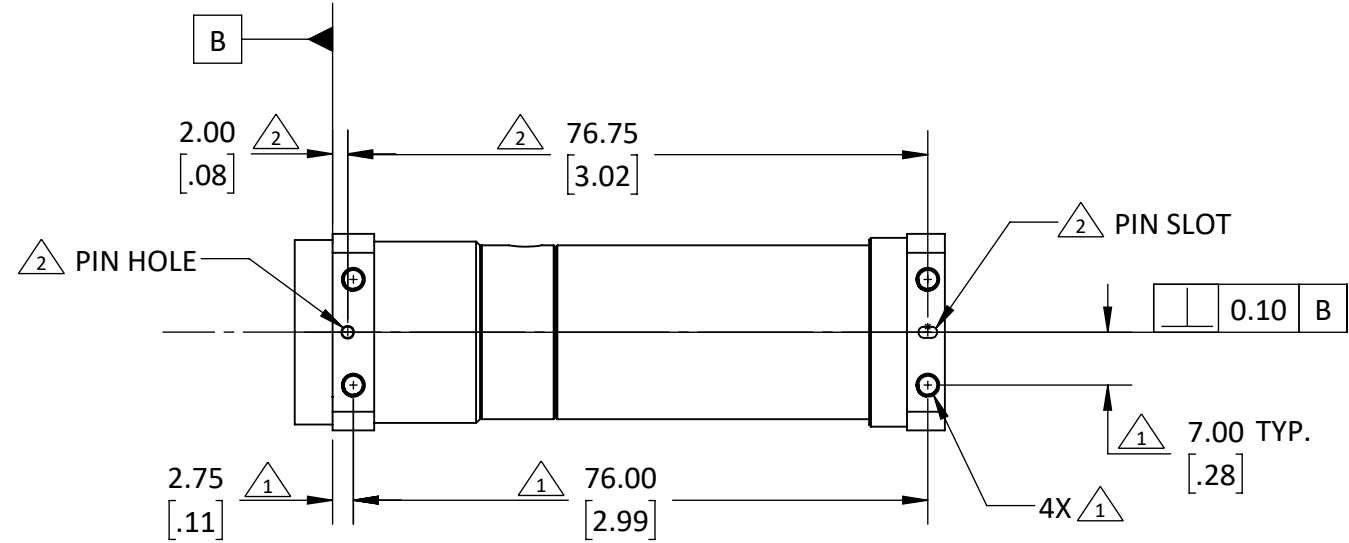
NOTES:

- 1 MOUNTING TAPPED HOLES: M3X0.5 -6H
- 2 ALIGNMENT DOWEL PIN HOLES: M1.5
- 3 POINTING TOLERANCES: SEE TABLE
- 4. WEIGHT: 76g (2.7oz)

REV.	DESCRIPTION	DATE	APPROVED
01	INITIAL RELEASE TO MANUFACTURING	07/10/2017	DA



RED WIRE: ANODE (+)  
BLACK WIRE: CATHODE (-)



### ICD MECHANICAL: 410-0027-01

UNLESS OTHERWISE SPECIFIED  
-DIMENSIONS ARE IN MM  
-INTERPRET DRAWING AS PER Y14.100 - 2013  
-INTERPRET DIMENSIONS AS PER Y14.5-2009  
-OUTSIDE USA: INTERPRET DRAWING AND DIMENSIONS AS PER ISO 1101

MACHINING TOLERANCES  
0. ± 0.75 Angle ± .5°  
0.0 ± 0.25  
0.00 ± 0.125  
0.000 ± 0.05

DO NOT SCALE DRAWING  
3RD ANGLE PROJECTION

PROPRIETARY NOTICE: THE INFORMATION CONTAINED IN THIS DRAWING IS THE SOLE PROPERTY OF VOXTEL INC. IT IS NOT TO BE USED, REPRODUCED, OR DISCLOSED IN WHOLE OR IN PART TO ANYONE WITHOUT THE WRITTEN PERMISSION OF VOXTEL INC.

APPROVALS		DATE
DFT:		07/10/2017
CHK:		07/10/2017
APR:		
MATERIAL	FINISH	
VIEW BOM	VIEW BOM	

VOXTEL INC.			
TITLE ICD MECHANICAL: 410-0027-01			
SIZE B	CAGE NO.	DWG. NO. ICD-410-0027-01	REV 01
SCALE = 1:1	WT:	SHEET 1 OF 1	

3 POINTING TOL. (mrad)	
A to B	±2.00

D

D

C

C

B

B

A

A

4

3

2

1