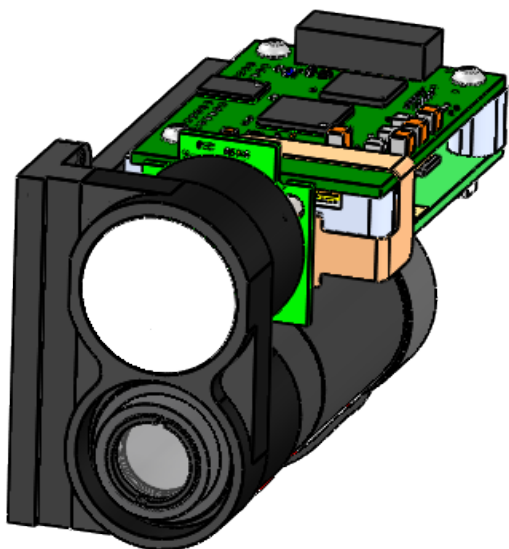
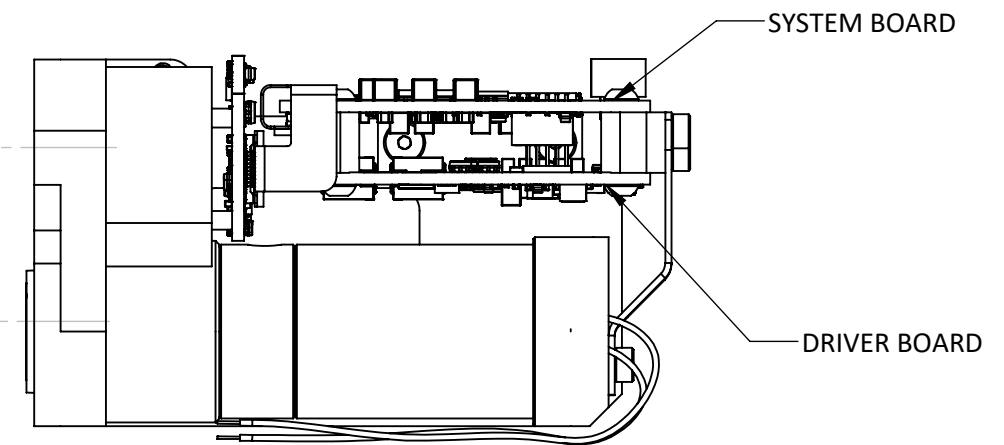
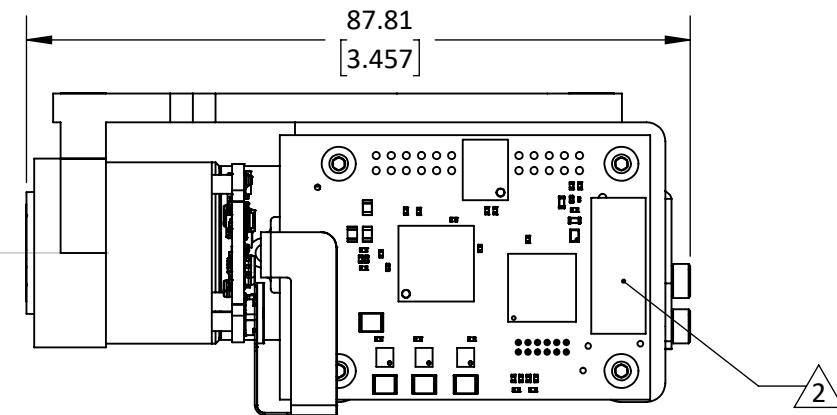
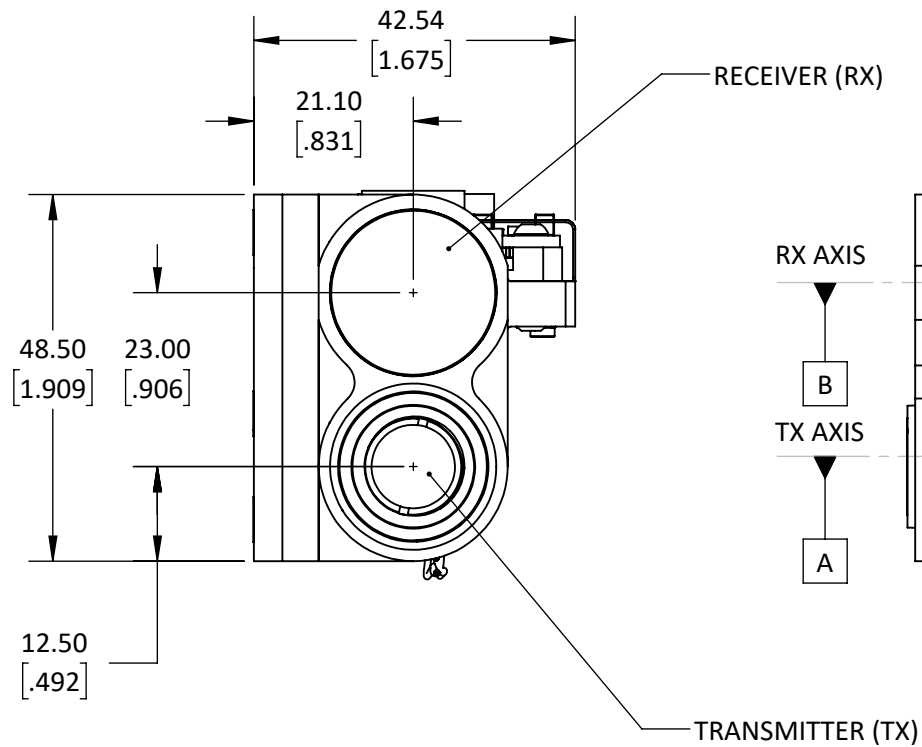
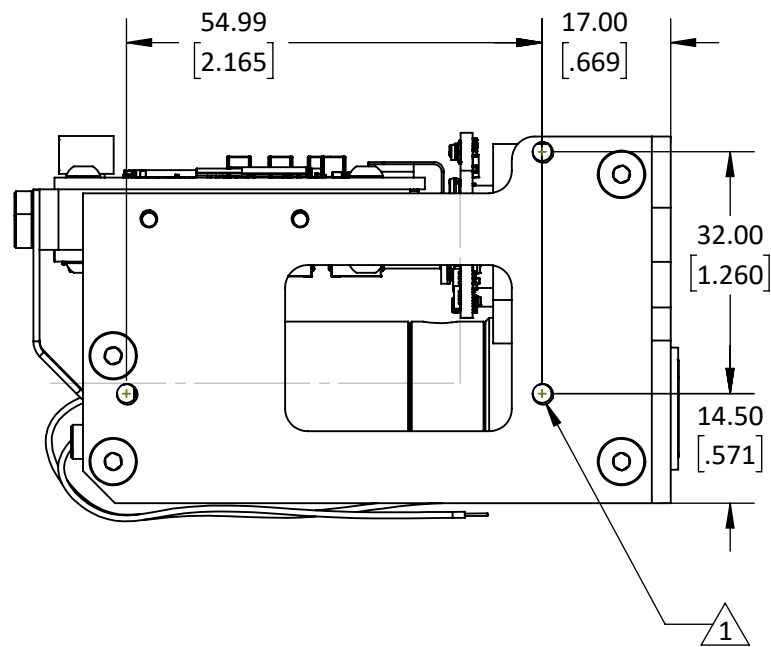


NOTES:

- 1 MOUNTING HOLES:(3X) M3x0.5-6H
- 2 P1, CONNECTOR: SYSTEM BOARD TO EXTERNAL UART AND POWER (5V)
- 3. POINTING TOLERANCE: -A- TO -B- +/-4.00 mRad
- 4. WEIGHT: 145gm (5.1oz)

REV.	DESCRIPTION	DATE	APPROVED
01	RENAMED ASSEMBLY AND SUB-COMPONENTS	5/14/20	C. SALDIVAR



ISOMETRIC VIEW

ICD MECHANICAL: 410-0212-01

UNLESS OTHERWISE SPECIFIED
 DIMENSIONS ARE IN MM
 INTERPRET DRAWING PER Y14.100 - 2013
 INTERPRET DIMENSIONS PER Y14.5-2009
 OUTSIDE USA: INTERPRET DRAWING AND
 DIMENSIONS PER ISO 1101

MACHINING TOLERANCES
 0. ± 0.75 Angle ± .5°
 0.0 ± 0.25
 0.00 ± 0.125
 0.000 ± 0.05

DO NOT SCALE DRAWING
 3RD ANGLE PROJECTION

PROPRIETARY NOTICE: THE INFORMATION CONTAINED IN THIS DRAWING IS THE SOLE PROPERTY OF VOXTEL INC. IT IS NOT TO BE USED, REPRODUCED, OR DISCLOSED IN WHOLE OR IN PART TO ANYONE WITHOUT THE WRITTEN PERMISSION OF VOXTEL INC.

APPROVALS		DATE
DFT: C. GILMAN		9/13/19
CHK: C. GILMAN		9/13/19
APR:		
MATERIAL	FINISH	
N/A	N/A	



TITLE			
ICD MECHANICAL: 410-0212			
SIZE	CAGE NO.	DWG. NO.	REV
B	1PU01	ICD-410-0212	01
SCALE = 1:2		WT:145gm (5.1oz)	SHEET 1 OF 1