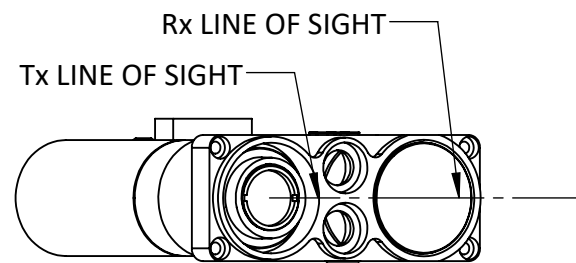
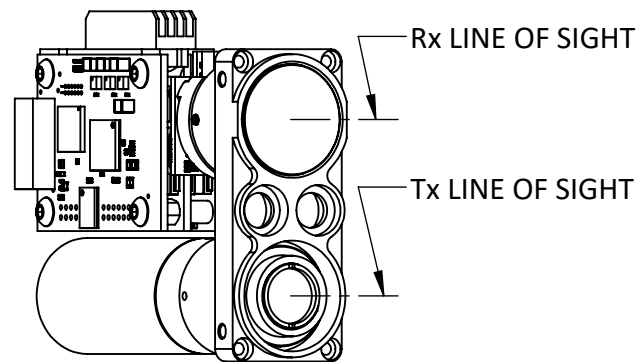
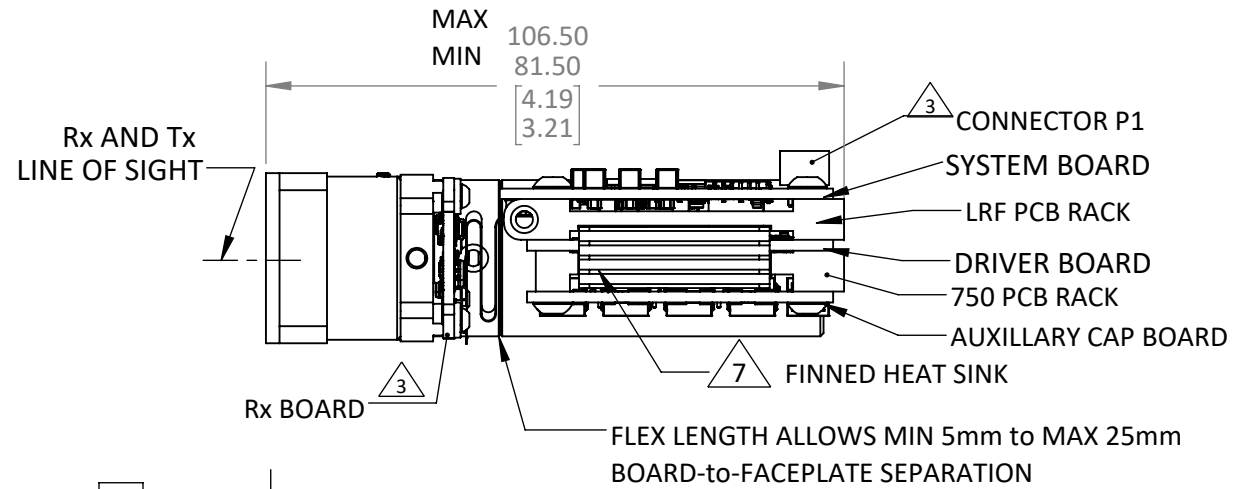
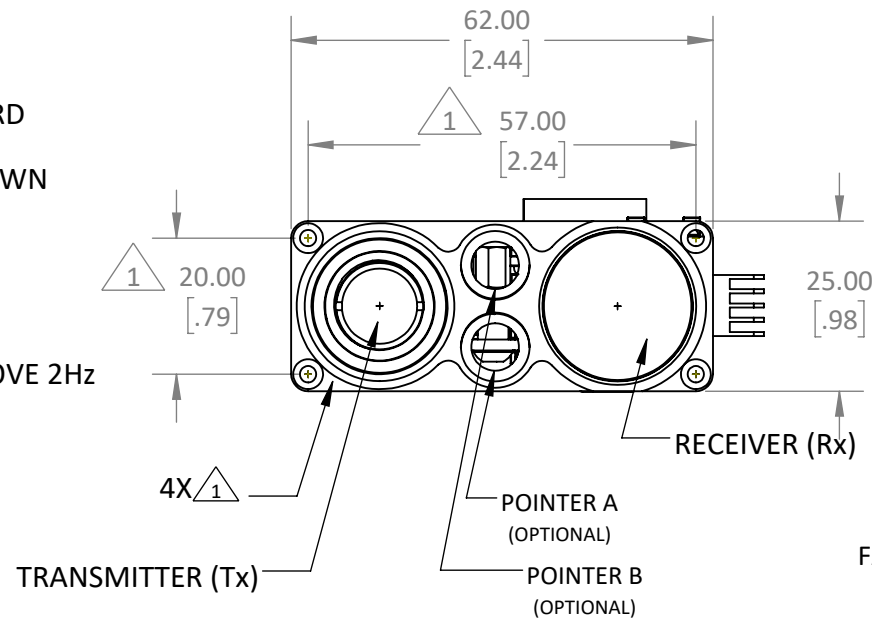


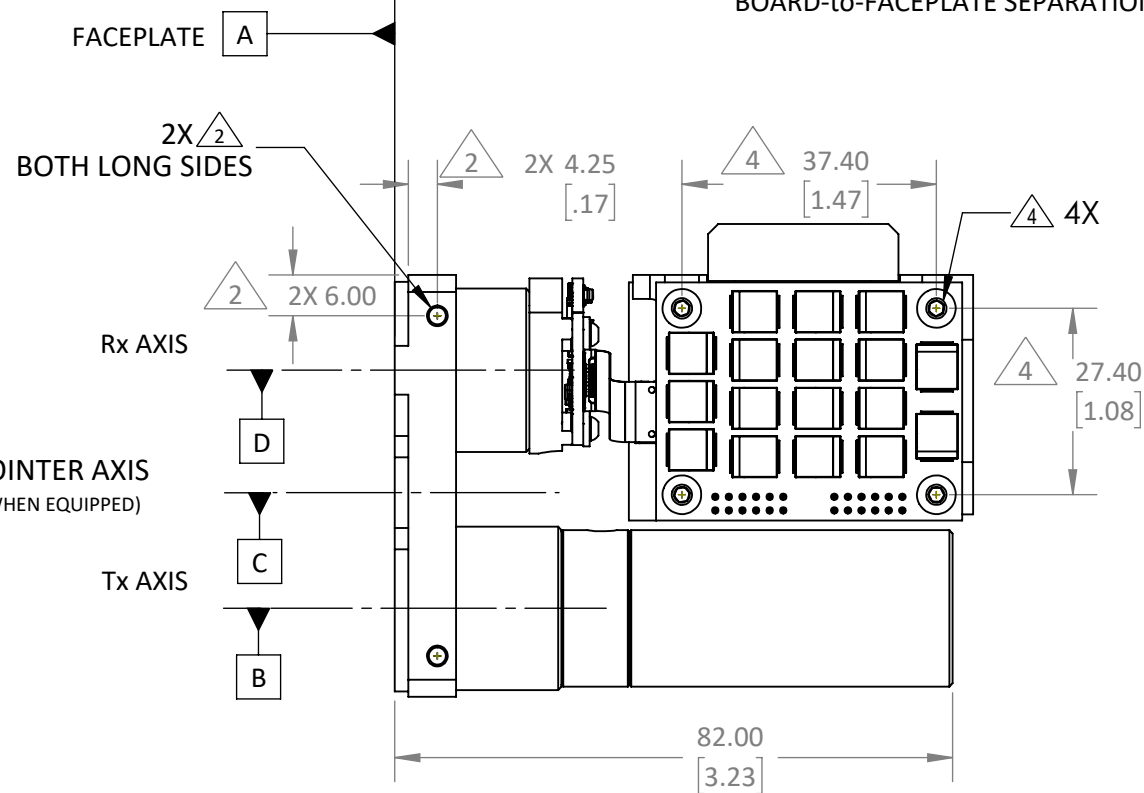
NOTES:

- 1 MOUNTING THRU HOLES: M2 (#2-56)
- 2 MOUNTING TAPPED HOLES: M3X0.5 - 6H
- 3 P1, CONNECT: SYSTEM BOARD to Rx BOARD
- 4 PCB STACK: 4 THRU HOLES ALIGN, AS SHOWN
- 5 POINTING TOLERANCES: SEE TABLE
- 6. WEIGHT: 128 g (4.52oz)
- 7 HEAT SINK REQUIRED FOR OPERATION ABOVE 2Hz

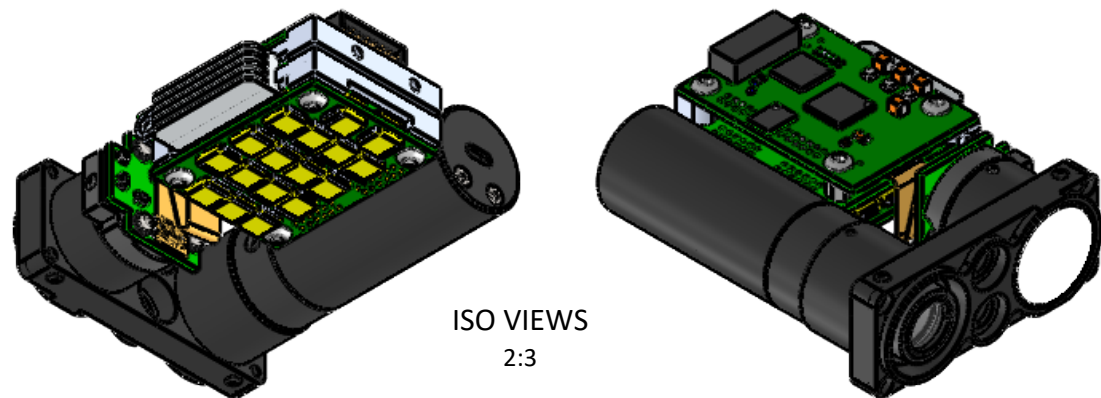
REV.	DESCRIPTION	DATE	APPROVED
01	UPDATE TO ASSEMBLY PN, SUB-ASSEMBLIES, AND BOARD STACK; UPDATE TO DESIGNATOR J8 TO P1; UPDATE TO POINTING SPECIFICATIONS	4/16/19	C. SALDIVAR



RECOMMENDED MOUNTING ORIENTATIONS



5 POINTING TOL. (mrads)	
B to A	±5.00
C to A	±5.00
D to A	±5.00
D to B	±4.00



ISO VIEWS 2:3

ICD MECHANICAL: 410-0137-01

UNLESS OTHERWISE SPECIFIED
 -DIMENSIONS ARE IN MM
 -INTERPRET DRAWING AS PER Y14.100 - 2013
 -INTERPRET DIMENSIONS AS PER Y14.5-2009
 -OUTSIDE USA: INTERPRET DRAWING AND DIMENSIONS AS PER ISO 1101

MACHINING TOLERANCES
 0. ± 0.75 Angle ± .5°
 0.0 ± 0.25
 0.00 ± 0.125
 0.000 ± 0.05

DO NOT SCALE DRAWING
 3RD ANGLE PROJECTION

PROPRIETARY NOTICE: THE INFORMATION CONTAINED IN THIS DRAWING IS THE SOLE PROPERTY OF VOXTEL INC. IT IS NOT TO BE USED, REPRODUCED, OR DISCLOSED IN WHOLE OR IN PART TO ANYONE WITHOUT THE WRITTEN PERMISSION OF VOXTEL INC.

APPROVALS	DATE
DFT: CS	1/14/19
CHK: CS	1/14/19
APR:	
MATERIAL	FINISH
VIEW BOM	VIEW BOM



TITLE ICD MECHANICAL: 410-0137			
SIZE B	CAGE NO.	DWG. NO. ICD-410-0137	REV 01
SCALE = 0.9:1	WT:	SHEET 1 OF 1	