

4

3

DWG NO. 410-0131

SH 1 REV 01

1

NOTES:

- 1 MOUNTING HOLES: M3x0.5 - 6H  $\nabla$  4.00mm MAX.
- 2 ALIGNMENT DOWEL PIN HOLES: M2.5  $\nabla$  2.20mm
- 3 P1, MATING CONNECTOR: HIROSE DF3-8S-2C (PIN #1 NOTED)
- 4 POINTING TOLERANCES: SEE TABLE
- 5. UNIT WEIGHT: 216g (7.6oz)

REV.	DESCRIPTION	DATE	APPROVED
01	UPDATE TO OEM MODULE ROLL-UP; RENAME J8 CONNECTOR P1; UPDATE TO POINTING TOLERANCES	4/16/19	C. SALDIVAR

D

C

B

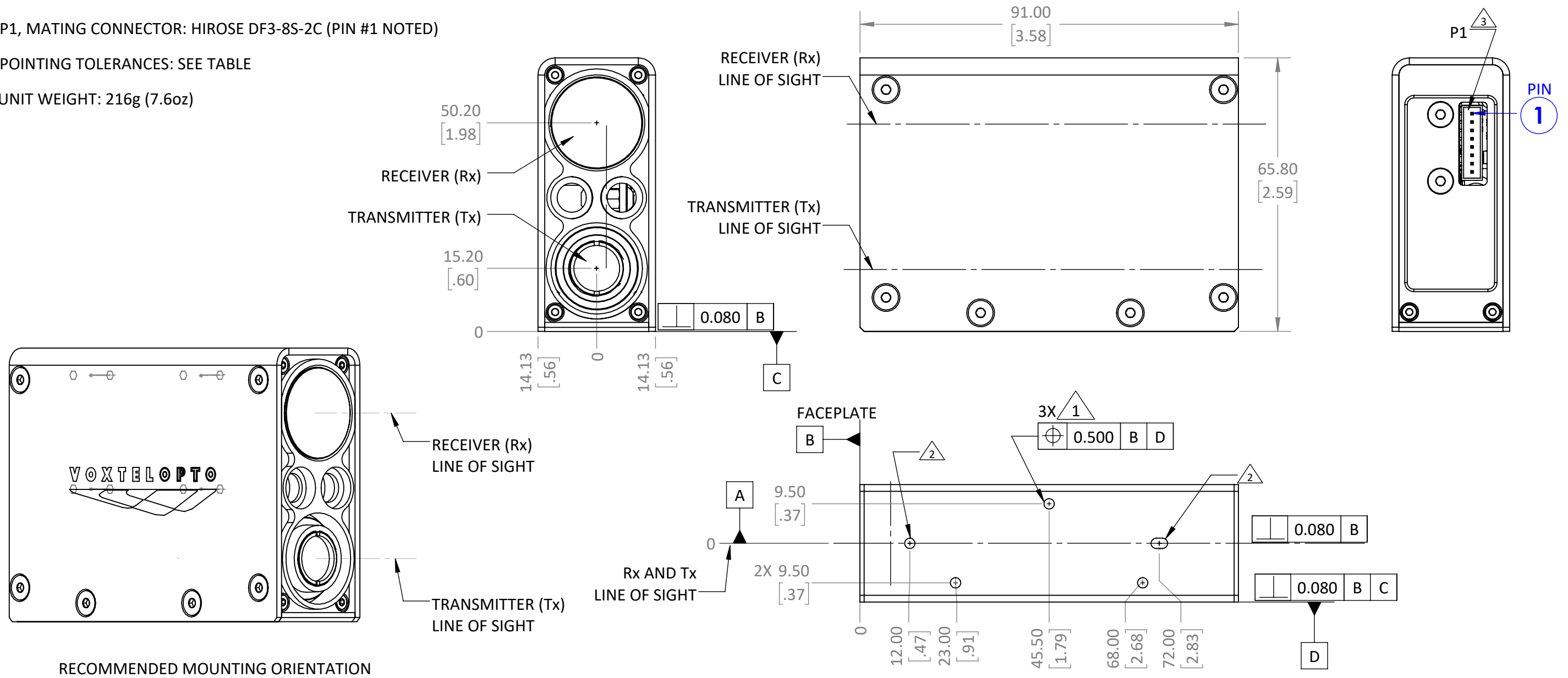
A

D

C

B

A



RECOMMENDED MOUNTING ORIENTATION

$\nabla$ 4	POINTING TOL. (mrad)
A to B	$\pm 5.00$

### ICD-MECHANICAL: 410-0131-01

UNLESS OTHERWISE SPECIFIED  
 -DIMENSIONS ARE IN MM  
 -INTERPRET DRAWING AS PER Y14.100 - 2013  
 -INTERPRET DIMENSIONS AS PER Y14.5-2009  
 -OUTSIDE USA: INTERPRET DRAWING AND DIMENSIONS AS PER ISO 1101

MACHINING TOLERANCES  
 0.  $\pm 0.75$  Angle  $\pm .5^\circ$   
 0.0  $\pm 0.25$   
 0.00  $\pm 0.125$   
 0.000  $\pm 0.05$

DO NOT SCALE DRAWING  
 3RD ANGLE PROJECTION

PROPRIETARY NOTICE: THE INFORMATION CONTAINED IN THIS DRAWING IS THE SOLE PROPERTY OF VOXTEL INC. IT IS NOT TO BE USED, REPRODUCED, OR DISCLOSED IN WHOLE OR IN PART TO ANYONE WITHOUT THE WRITTEN PERMISSION OF VOXTEL INC.

APPROVALS	DATE
DFT: DA	07/10/2017
CHK: DA	07/10/2017



APR:  
 MATERIAL FINISH

TITLE ICD MECHANICAL: 410-0131-01			
SIZE B	CAGE NO.	DWG. NO. ICD-410-0131	REV 01
SCALE = 1:1	WT:	SHEET 1 OF 1	

4

3

2

1