

4

3

DWG NO. ICD-410-0135

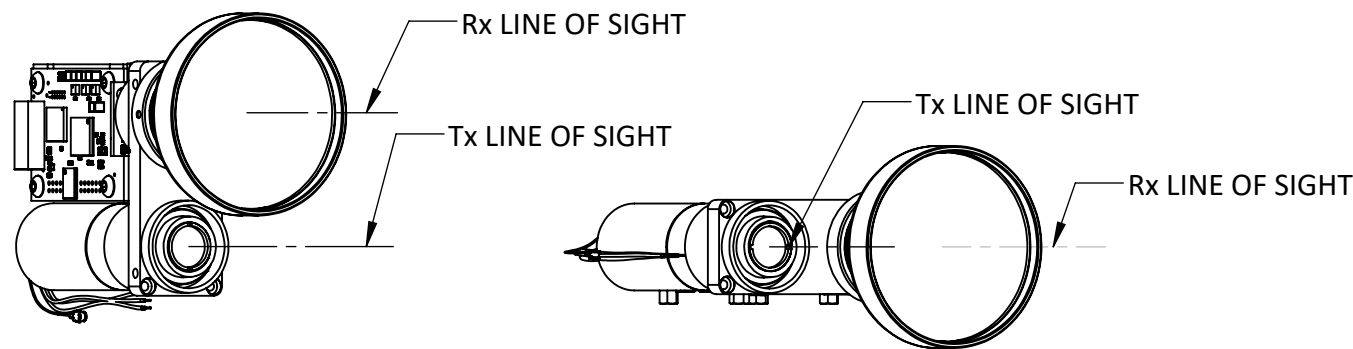
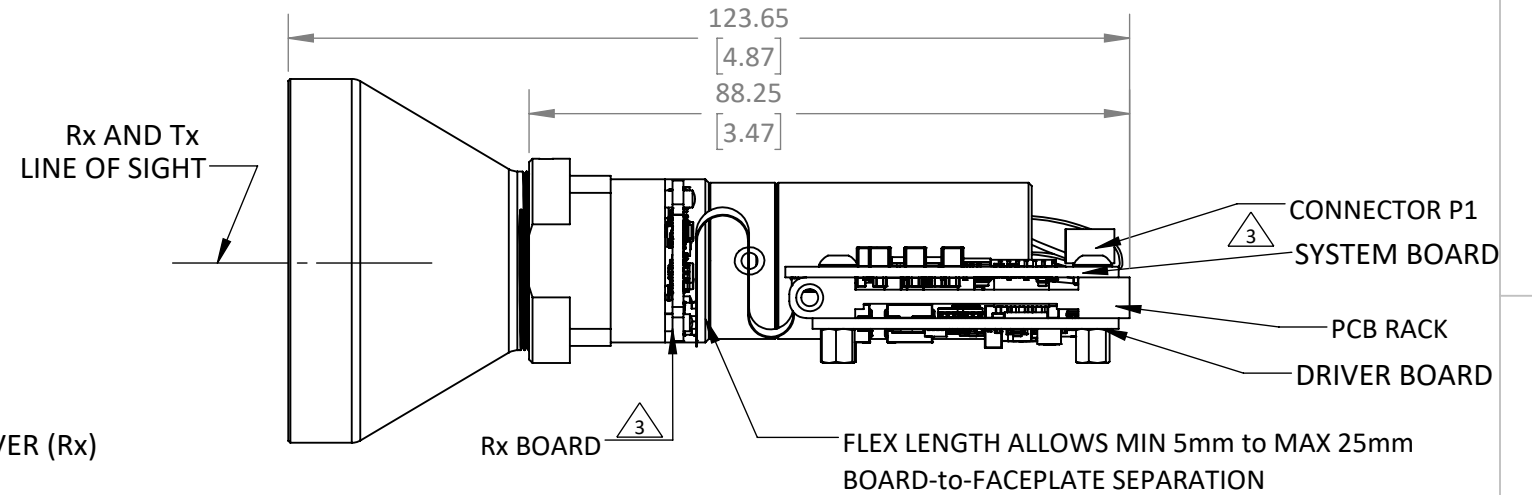
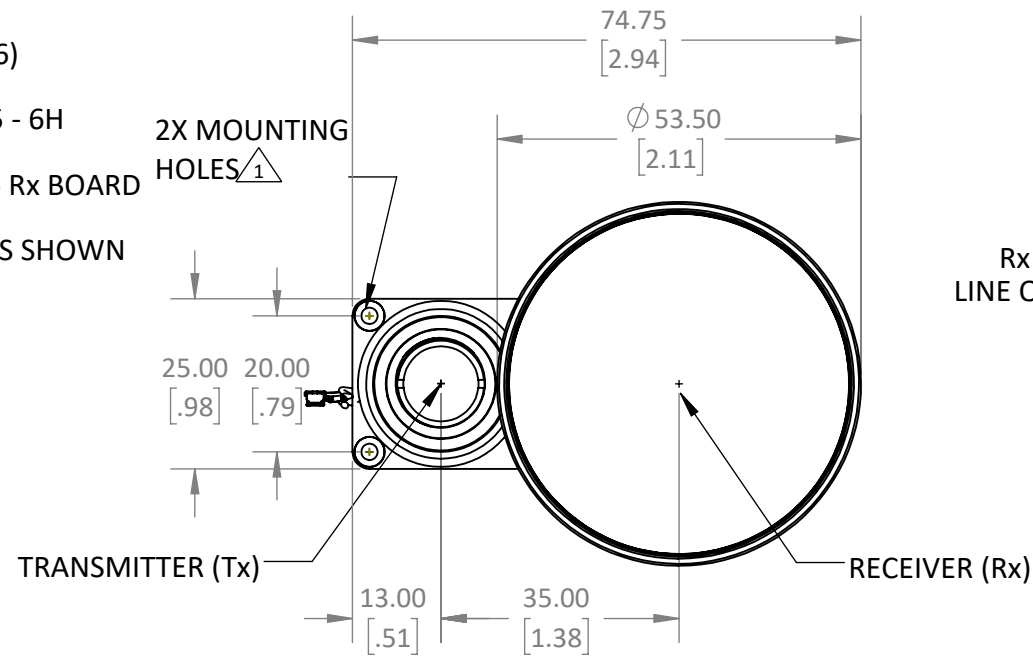
SH 1 REV 01

1

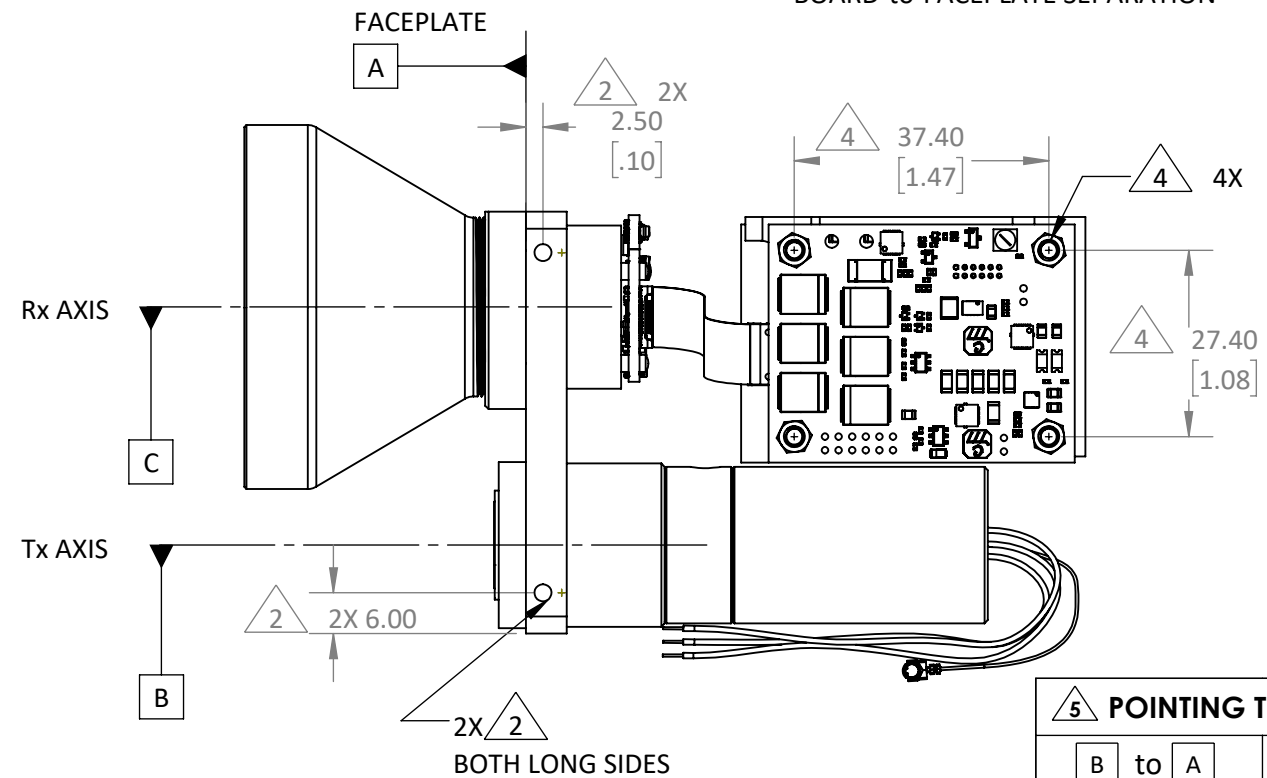
NOTES:

- 1 MOUNTING THRU HOLES: M2 (#2-56)
- 2 MOUNTING TAPPED HOLES: M3X0.5 - 6H
- 3 P1, CONNECTOR: SYSTEM BOARD to Rx BOARD
- 4 PCB STACK: 4 THRU HOLES ALIGN, AS SHOWN
- 5 POINTING TOLERANCES: SEE TABLE
- 6. WEIGHT: 138 g (4.88 oz)

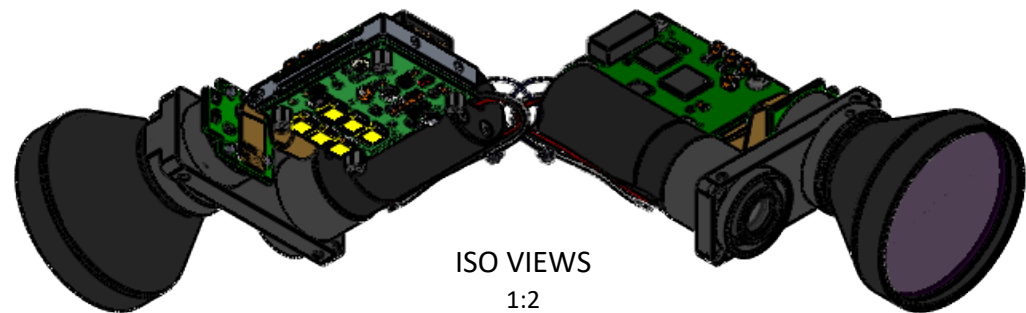
REV.	DESCRIPTION	DATE	APPROVED
01	UPDATE TO ASSEMBLY PN, SUB-ASSEMBLIES, AND BOARD STACK; UPDATE DESIGNATOR J8 TO P1; UPDATE POINTING SPECIFICATIONS	4/16/19	C. SALDIVAR



RECOMMENDED MOUNTING ORIENTATIONS



5 POINTING TOL. (mrads)	
B to A	±5.00
C to A	±5.00
B to C	±4.50



ISO VIEWS
1:2

ICD MECHANICAL: 410-0135-01

UNLESS OTHERWISE SPECIFIED
 -DIMENSIONS ARE IN MM
 -INTERPRET DRAWING AS PER Y14.100 - 2013
 -INTERPRET DIMENSIONS AS PER Y14.5-2009
 -OUTSIDE USA: INTERPRET DRAWING AND DIMENSIONS AS PER ISO 1101

MACHINING TOLERANCES

- 0. ± 0.75 Angle ± .5°
- 0.0 ± 0.25
- 0.00 ± 0.125
- 0.000 ± 0.05

DO NOT SCALE DRAWING
 3RD ANGLE PROJECTION

PROPRIETARY NOTICE: THE INFORMATION CONTAINED IN THIS DRAWING IS THE SOLE PROPERTY OF VOXTEL INC. IT IS NOT TO BE USED, REPRODUCED, OR DISCLOSED IN WHOLE OR IN PART TO ANYONE WITHOUT THE WRITTEN PERMISSION OF VOXTEL INC.

APPROVALS		DATE
DFT: CS		1/14/19
CHK: CS		1/14/19
APR:		
MATERIAL	FINISH	
VIEW BOM	VIEW BOM	



TITLE ICD MECHANICAL: 410-0135			
SIZE B	CAGE NO.	DWG. NO. ICD-410-0135	REV 01
SCALE = 0.9:1	WT:	SHEET 1 OF 1	

4

3

2

1